



CENTRED DOUBLE CARDAN (CDC) DRIVESHAFT



TECHNICAL DATASHEET

CENTRED DOUBLE CARDAN (CDC) DRIVESHAFT

The Walterscheid Centred Double Cardan (CDC) is an innovative high end product with quasi-homokinetic characteristics that combines Walterscheid's latest knowhow in different areas. High angles and high speeds are both possible. It is suitable for demanding applications in On-Highway and Off-Highway environments, where high angle and constant shaft rotational speed are required.

Reductions in servicing and maintenance, as well as maximization of uptime and productivity compared to other products in the market can be offered.



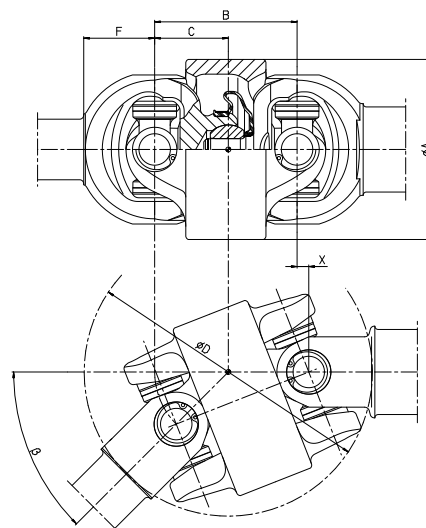
TECHNICAL INFORMATION

JOINT SIZE	TCs [Nm]	B MAX.	Ø A [mm]	B [mm]	C [mm]	Ø D [mm]	F MIN. [mm]	X [mm]
03850CD	2700 3800	50°	126 133	102	52	212	42	10,5
09548CD	7600 9500	48°	160 166	125	63,8	265	57	11,8

KEY FEATURES & BENEFITS

- ▶ Suitable for constantly large operating joint angles
- ▶ Up to 50° max. angle
- ▶ Up to 6200rpm
- ▶ Maintenance free
- ▶ Smooth running due to advanced design
- ▶ Optimized robust centering System

- ▶ **Application:**
 - Agriculture
 - Construction
 - Defense
 - Other Off- and On-Highway markets



CDC 01 GB 0319 AK1 - 03